

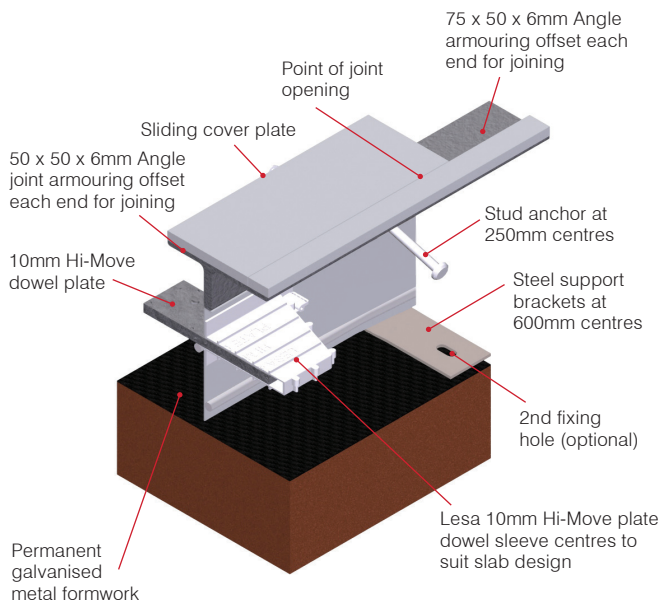
LESA ARMOUR JOINT SYSTEMS

LESA ARMOUR JOINT TYPE L

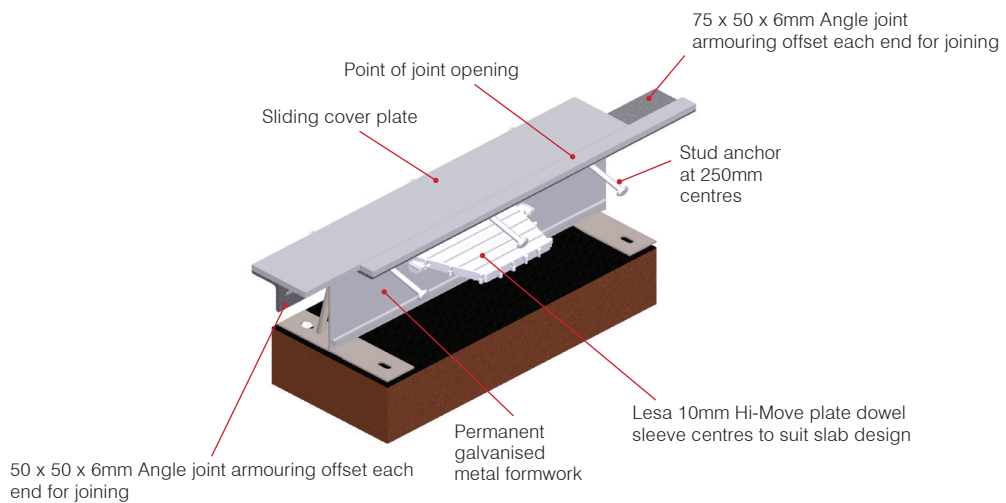
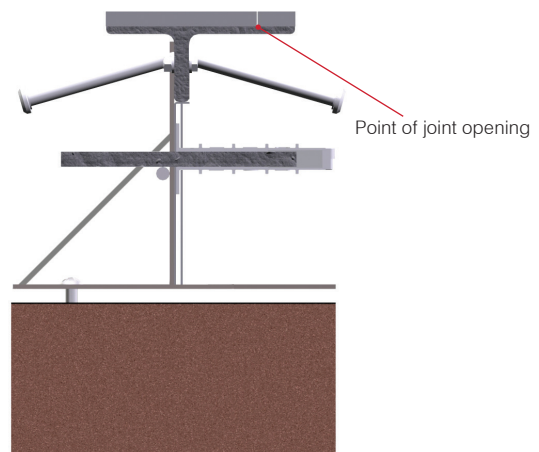
FREE STANDING COVER PLATE JOINT

Type L is a full, comprehensive pre-assembled version of Armour Joint, with an upper joint armouring section similar to Type G. This provides a cover plate over wider joints and can be used where sealed joints are required. Up to 45mm joint movement is catered for with standard Type L, and special versions can cater for joint widths up to 85mm.

1



2



NOTE: Steel sizes in above drawings are for Type L45.