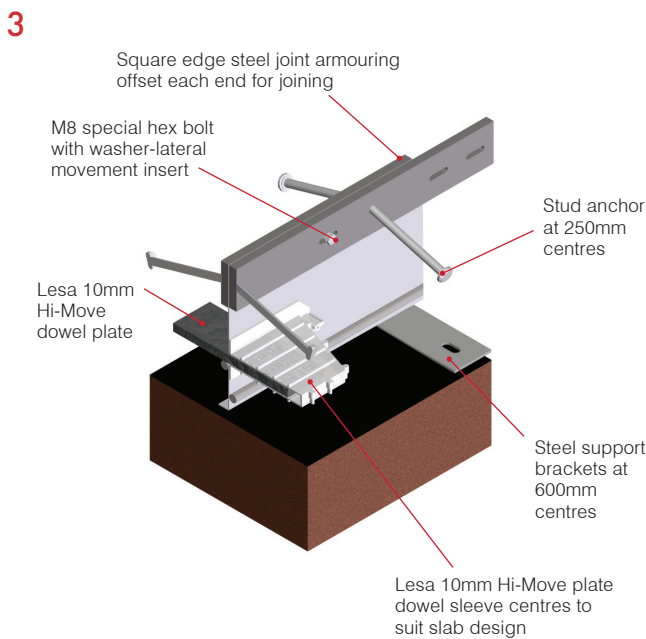
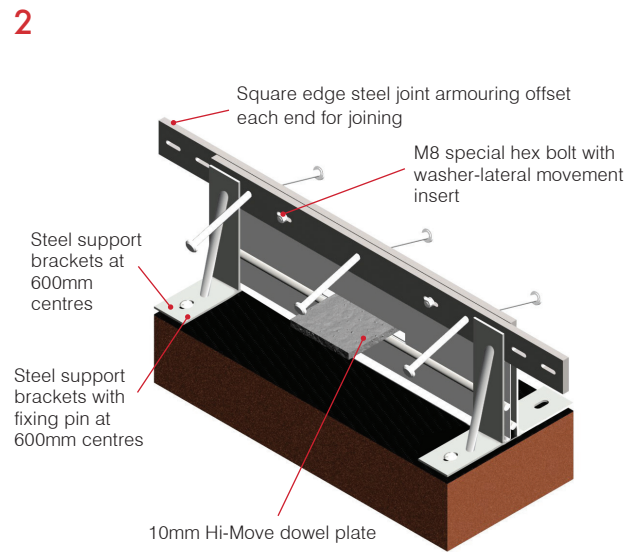
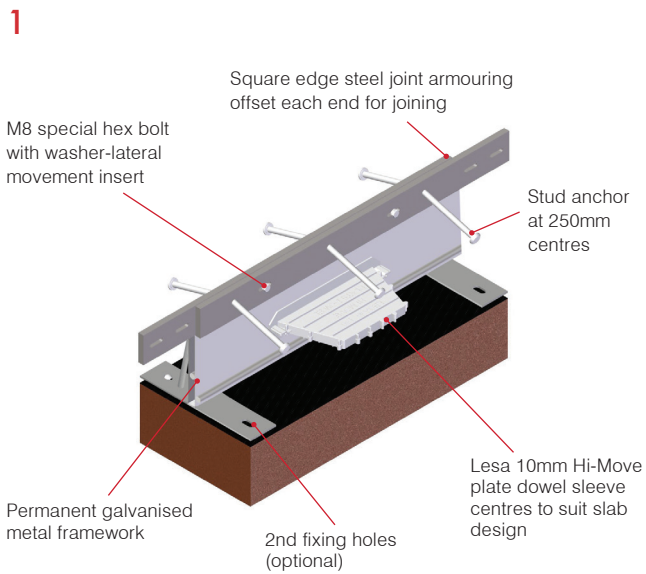


LESA ARMOUR JOINT SYSTEMS

LESA ARMOUR JOINT TYPE H

JOINTS THAT REQUIRE HIGHER LATERAL MOVEMENT

Type H is similar to the Type B version, providing flat bar steel edge protection, but for floors where wider joint openings are expected. It is a full, comprehensive, pre-assembled product but differs as it incorporates heavy duty Lesa Hi-Move plate dowels for joint openings up to 35mm in most floors.



NOTE: OPTIONAL ADJUSTABLE BRACKETS ARE AVAILABLE FOR TYPE B AND TYPE H FLAT BAR SYSTEMS. THIS MUST BE NOTED WHEN PLACING AN ORDER

