

LESA ARMOUR JOINT TYPES A1, A2, A3 ©1999

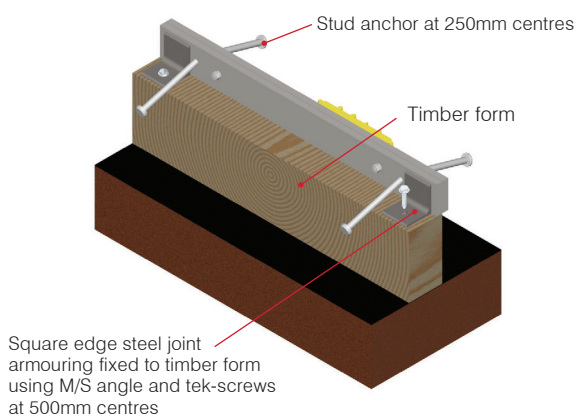
FOR USE WITH TIMBER BOXING

Types A1, A2 and A3 provide floor joint edge protection using square edged steel flat bars positioned vertically. All Type A versions are used with timber formwork and dowels. Type A1 is pre-assembled for mounting on top of a timber form. Type A2 has one pre-drilled side for nailing to formwork. The second side is tack-welded to side one. Welds are cut following the concrete pour to allow concrete shrinkage to take place. Type A3 is pre-drilled to allow side one to be nailed to formwork for the first concrete pour. The second side is pinned to the first side after formwork is stripped from the first pour.

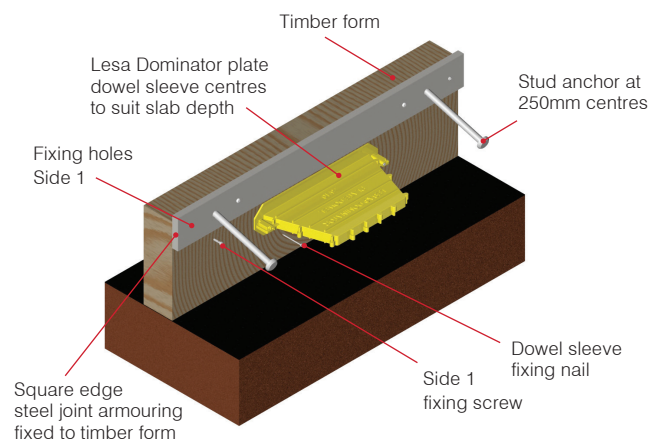
TYPE D

Is a variant of Type A, which is predominantly used for doorways and often incorporates a 10mm step down.

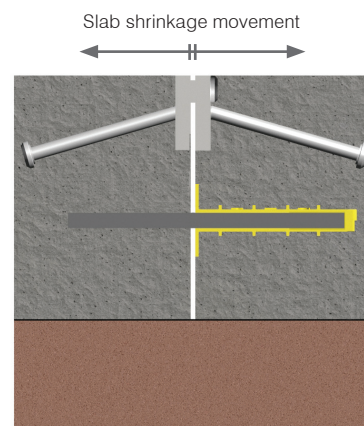
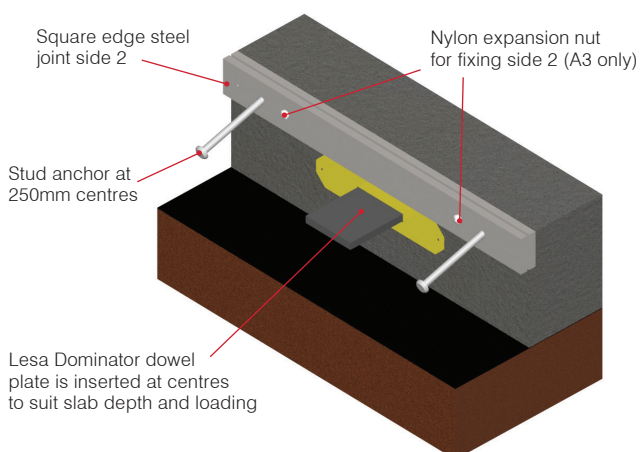
TYPE A1



TYPE A2



TYPE A3



SECOND POUR