

CONNOLLY KEYJOINT



Connolly Keyjoint is a galvanised steel tongue and groove formwork that becomes part of the slab, forming the control joint. Its unique fixing system makes installing simple and at least twice as fast as the conventional formwork methods.

Connolly Keyjoint is commonly found in residential house slabs. A free joint is achieved by separating a slab with the keyjoint set in place by using the supplied peg and wedge system.

Keyjoint is a galv profile. Because it is a thin galv length care needs to be taken before and during the pour. It is a single pour system and isn't strong enough to be used as a stop pour.

Pour some dabs of concrete around the pegs and if pumping, pump directly over the keyjoint and take care until you are confident it is set in place.

If a speed dowel is specified you can easily for 100mm slabs insert the dowel and sleeve through the pre-punched knockouts and wire them to your mesh.

KEY FEATURES

- Eliminate traditional checker boarding technique
- Eliminates ponding as it can be used to maintain drainage falls
- Control cracking on large slabs, including houses and factories
- Supplied with one wedge and one dowel peg per 750mm for normal use



700 Great South Road, Penrose
P O Box 9826, Auckland, New Zealand
www.lesasystems.co.nz

Tel: 64 9 526 7136 Fax: 64 9 525 2139
Freephone: 0800 74 LESA (0800 74 5372)
Email: sales@lesasystems.co.nz

CONNOLLY KEYJOINT

FIXING INSTRUCTIONS



Position keyjoint in desired location and drive in the supplied pegs.

NOTE: The longest flange of the keyjoint always goes to the top



Adjust the keyjoint to the correct height and secure by tapping in the supplied wedges.

If capping strips are to be used allow the appropriate set down distance and apply capping strip prior to pouring concrete.



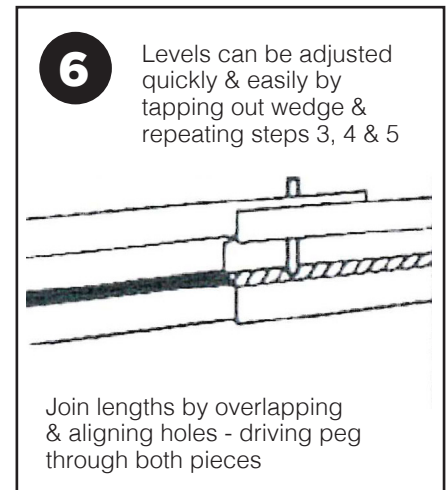
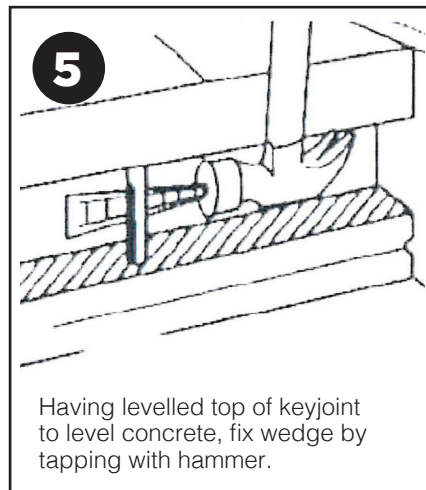
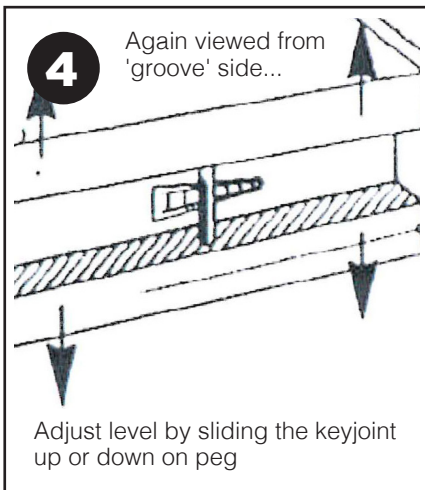
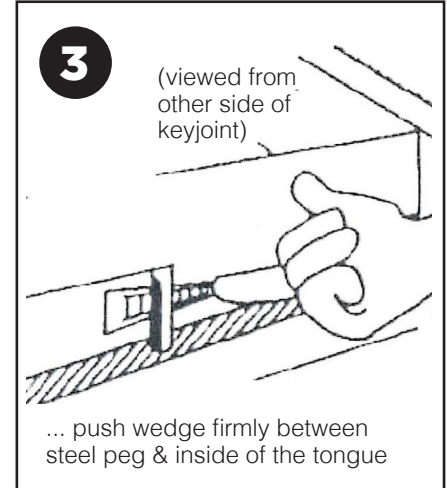
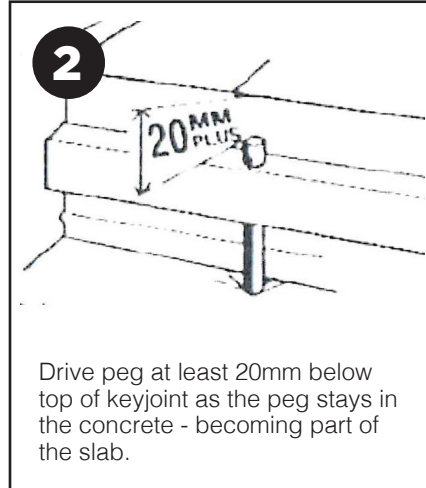
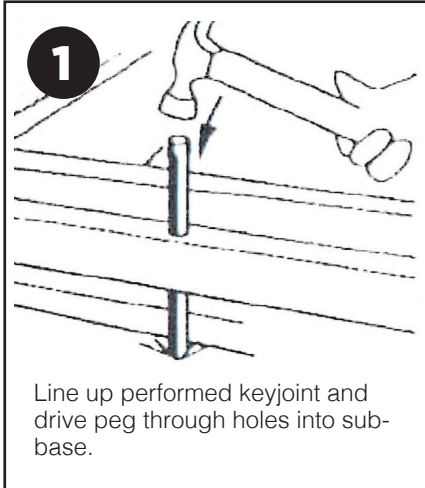
Place the reinforcement and pour the concrete over the keyjoint. Finish concrete surface to the top of the joint (NOT ABOVE IT). Always pour concrete evenly to both sides of the joint and ensure concrete is compacted into the keyways.



700 Great South Road, Penrose
P O Box 9826, Auckland, New Zealand
www.lesasystems.co.nz

Tel: 64 9 526 7136 Fax: 64 9 525 2139
Freephone: 0800 74 LESAs (0800 74 5372)
Email: sales@lesasystems.co.nz

CONNOLLY KEYJOINT



700 Great South Road, Penrose
P O Box 9826, Auckland, New Zealand
www.lesasystems.co.nz

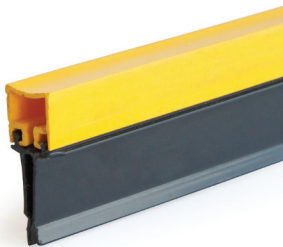
Tel: 64 9 526 7136 Fax: 64 9 525 2139
Freephone: 0800 74 LESAs (0800 74 5372)
Email: sales@lesasystems.co.nz

CONNOLLY KEYJOINT

SPECIFICATIONS

Product Code	KJ100	KJ150	KJ200	KJ300
Base Metal	0.4mm Steel Galv 200gm/m ²	0.55mm Steel Galv 200gm/m ²	0.55mm Steel Galv 200gm/m ²	0.75mm Steel Galv 275gm/m ²
Height	90mm (for 100mm slab thickness)	135mm (for 150mm slab thick- ness)	180mm (for 200mm slab thickness)	270mm (for 300mm slab thickness)
Length	6.0m & 3.0m Standard Length			
Knock-out Sizes and Spacings	Refer Below			
Tongue Slope	1:3			
Tongue Depth	19.5mm	24mm	30mm	36mm
Peg and Wedge Quantity	Pack of 8 pegs and 8 wedges per 6.0m length			
Peg Material	Deformed mild steel bar. Fibre- glass pegs also available			
Peg Diameter	8.5 - 9.5 mm	8.5 - 9.5 mm	8.5 - 9.5 mm	12mm
Peg Length	350mm	390mm	500mm	780mm
Wedge Material	0.75mm Steel Galv 275gm/m ²			
Wedge Length	115mm			

CAPPING STRIPS



Rebate Mould

This rigid two-piece plastic capping is designed for heavy traffic areas. The capping fits into and locks onto the fold along the top of the keyjoint. When fitting, match the profile of the mould with the profile of the fold on the keyjoint. The top section of the rebate mould is removed when the sealant is to be applied. Available in two sizes: 20mm wide x 10mm deep and 112mm x 12mm, in lengths of 3 metres.



Retained PVC Capping

Extruded from plasticised polyvinyl chloride which is UV treated, ensuring its longevity outdoors. This particular material is resistant to oils and petroleum based products although it is not resistant to chemical solvent such as acetone, trichlorethylene, xylene etc. The option of the tear off top section, once removed, leaves a clean line for areas where an architectural finish is required. Quick to install and designed for joint spacings where curing shrinkage is not excessive. Available in 24 metre rolls.

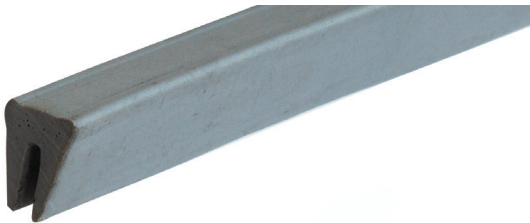


700 Great South Road, Penrose
P O Box 9826, Auckland, New Zealand
www.lesasystems.co.nz

Tel: 64 9 526 7136 Fax: 64 9 525 2139
Freephone: 0800 74 LESA (0800 74 5372)
Email: sales@lesasystems.co.nz

CONNOLLY KEYJOINT

CAPPING STRIPS



Removable PVC Capping

A flexible PVC Capping designed to fit easily onto Connolly Keyjoint and form a void in the finished concrete. It is a good concreting practise to seal all contraction joints in concrete pavements. Sealing the joint guards against foreign material entering the joint which over a period of time, will prevent thermal expansion and subsequently cause the joint to fail.

Once the concrete has cured the capping is stripped out and the void filled with an appropriate sealant. The standard removable capping is produced in 24 metre coil, with removable manufactured in 6 metre rolls.



Welded Foot & Peg

- Compatible with every length and size of Keyjoint.
- Easily attached to the building platform with tape
- Made from steel
- (DIMS = (length) mm X (width) mm X (thickness) mm foot plate with (size) hole to one end, and (size) mm X mm peg welded to the centre of the foot plate.
- The best solution for securing Keyjoint when ground penetration is not an option



700 Great South Road, Penrose
P O Box 9826, Auckland, New Zealand
www.lesasystems.co.nz

Tel: 64 9 526 7136 Fax: 64 9 525 2139
Freephone: 0800 74 LESA (0800 74 5372)
Email: sales@lesasystems.co.nz